

제품 소개

- PC22는 다양한 계량 어플리케이션에 이상적인 소형, 저용량 알루미늄 싱글 포인트 로드셀입니다.
- 외부환경에 대한 내구성을 보장하기 위해 컴파운드 포팅방식으로 완전밀봉처리되었습니다.
- 업계 표준 규격 구성으로 새로운 장비 제조업체 또는 교체용으로 이상적입니다.



특징 Feature

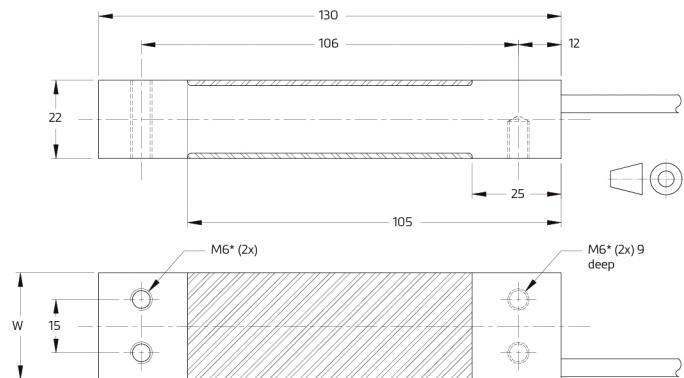
- 알루미늄 구조 / 포팅으로 환경 친화적인 밀봉
- 플랫폼 규격 350 x 350mm
- 로우 프로파일 디자인
- 로드셀 케이블 : 폴리 우레탄 2m x 5mm
- EN 60 529에 따른 보호 : IP 67

specifications

Maximum capacity (E <sub>max</sub> )	kg	5 / 10 / 20 / 30 / 40	
Accuracy class according to OIML R60		(GP)	C3
Maximum number of verification intervals (n <sub>LC</sub> )		n.a.	3,000
Minimum load cell verification interval (V <sub>min</sub> )		n.a.	E <sub>max</sub> / 6,000
Temperature effect on minimum dead load output (TC <sub>0</sub> )	%*RO/10°C	± 0.0400	± 0.0233
Temperature effect on sensitivity (TC <sub>80</sub> )	%*RO/10°C	± 0.0200	± 0.0100
Combined error	%*RO	± 0.0500	± 0.0200
Non-linearity	%*RO	± 0.0400	± 0.0166
Hysteresis	%*RO	± 0.0400	± 0.0166
Creep error (30 minutes) / DR	%*RO	± 0.0600	± 0.0166
Optional: Min. load cell verification interval (V <sub>min</sub> opt)		n.a.	E <sub>max</sub> / 12,000
Optional: Temp. effect on min. dead load output (TC <sub>0</sub> opt)	%*RO/10°C	n.a.	± 0.0117
Rated Output (RO)	mV/V	2 ± 10%	
Zero balance	%*RO	± 5	
Excitation voltage	V	5...15	
Input resistance (R <sub>LC</sub> )	Ω	413 ± 20	
Output resistance (R <sub>out</sub> )	Ω	350 ± 25	
Insulation resistance (100 V DC)	MΩ	≥ 5,000	
Safe load limit (E <sub>min</sub> )	%*E <sub>max</sub>	150	
Ultimate load	%*E <sub>max</sub>	300	
Safe side load	%*E <sub>max</sub>	100	
Maximum platform size; loading acc. to OIML R76	mm	350 x 350	
Maximum off centre distance at maximum capacity	mm	115	
Compensated temperature range	°C	-10...+40	
Operating temperature range	°C	-20...+65 (ATEX -20...+60)	
Load cell material		aluminium	
Sealing		potted	
Protection according EN 60 529		IP67	
Packet weight	kg	0.35	

The limits for Non-Linearity, Hysteresis, and TC<sub>80</sub> are typical values.  
The sum of Non-linearity, Hysteresis and TC<sub>80</sub> meets the requirements according to OIML R60 with p<sub>LC</sub>=0.7.

product dimensions (mm)



Capacity (kg)	W	
5, 10	25.4	+0.2 -1.0
20, 30, 40	30	0.2 -1

Mounting bolts M6 8.8; torque 10 Nm. Torque value assumes oiled threads.  
\* Unified thread 1/4-20 UNC is available.

wiring

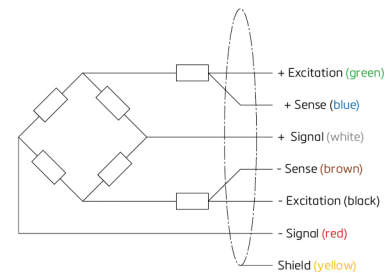
The load cell is provided with a shielded, 6 conductor cable (AWG 26).

Cable jacket: polyurethane

Cable length: 2 m

Cable diameter: 5 mm

The shield is connected to the load cell body



RoHS compliant

