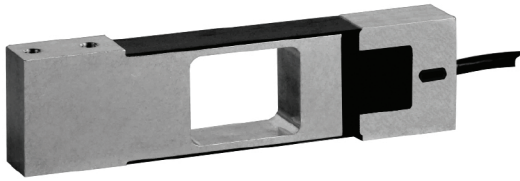


제품 소개



- PC42는 다양한 계량 어플리케이션에 이상적인 소형, 중형 저용량 알루미늄 싱글 포인트 로드셀입니다.
- 외부환경에 대한 내구성을 보장하기 위해 컴파운드 포팅방식으로 완전밀봉처리되었습니다.
- 업계 표준 규격 구성으로 새로운 장비 제조업체 또는 교체용으로 이상적입니다.

특징 Feature

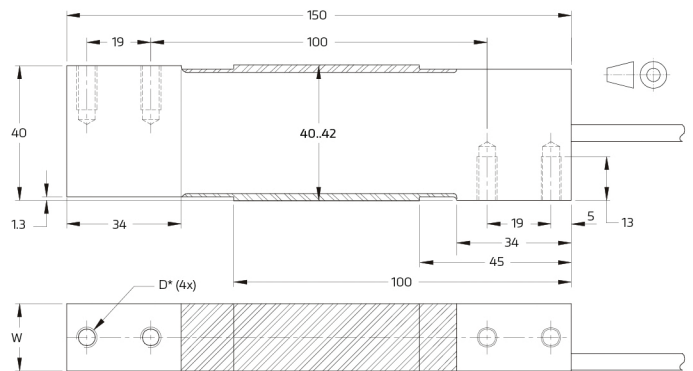
- 알루미늄 구조 / 포팅으로 환경 친화적인 밀봉
- 플랫폼 규격 400 x 400mm
- 로우 프로파일 디자인
- 로드셀 케이블 : 폴리 우레탄 2m x 5.8mm
- EN 60 529에 따른 보호 : IP 67

specifications

Maximum capacity (E_{max})	kg	5 / 10 / 20 / 30 / 50 / 100 / 200	
Accuracy class according to OIML R60		(GP)	C3
Maximum number of verification intervals (n_{LC})		n.a.	3,000
Minimum load cell verification interval (v_{min})		n.a.	$E_{max} / 10,000$
Temperature effect on minimum dead load output (TC_0)	%*RO/10°C	± 0.0400	± 0.0140
Temperature effect on sensitivity (TC_{90})	%*RO/10°C	± 0.0200	± 0.0100
Combined error	%*RO	± 0.0500	± 0.0200
Non-linearity	%*RO	± 0.0400	± 0.0166
Hysteresis	%*RO	± 0.0400	± 0.0166
Creep error (30 minutes) / DR	%*RO	± 0.0600	± 0.0166
Optional: Min. load cell verification interval ($v_{min, opt}$)		n.a.	$E_{max} / 15,000$
Optional: Temp. effect on min. dead load output (TC_0, opt)	%*RO/10°C	n.a.	± 0.0093
Rated Output (RO)	mV/V	2 ± 10%	
Zero balance	%*RO	± 5	
Excitation voltage	V	5..15	
Input resistance (R_{LC})	Ω	413 ± 20	
Output resistance (R_{out})	Ω	350 ± 25	
Insulation resistance (100 V DC)	MΩ	≥ 5.000	
Safe load limit (E_{lim})	%* E_{max}	150	
Ultimate load	%* E_{max}	300	
Safe side load	%* E_{max}	100	
Maximum platform size; loading acc. to OIML R76	mm	400 x 400	
Maximum off centre distance at maximum capacity	mm	135	
Compensated temperature range	°C	-10...+40	
Operating temperature range	°C	-20...+65 (ATEX -20...+60)	
Load cell material		aluminium	
Sealing		potted	
Protection according EN 60 529		IP67	
Packet weight	kg	0.5	

The limits for Non-Linearity, Hysteresis, and TC_{90} are typical values.
The sum of Non-linearity, Hysteresis and TC_{90} meets the requirements according to OIML R60 with $p_{LC}=0.7$.

product dimensions (mm)



Capacity (kg)	W	D	
5, 10, 20, 30	20	+0.2 -1.0	M6
50, 100	25.4	+0.2 -1.0	M6
200	25.4	+0.2 -1.0	M8

Mounting bolts up to 100 kg: M6 8.8 / torque 10 Nm; for 200 kg: M8 8.8 / torque 25 Nm.
Torque values assume oiled threads.
* Unified thread 1/4-20 UNC is available.

wiring

The load cell is provided with a shielded, 6 conductor cable (AWG 26).

Cable jacket: polyurethane

Cable length: 2 m

Cable diameter: 5.8 mm

The shield is connected to the load cell body

