



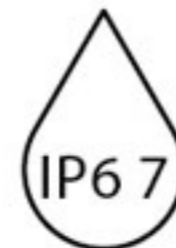
Since 1994, DIGITAL LEADER Axis Sensitive Co. Ltd
Industrial Explosion Proof Load Cell



MODEL : PC1-EXP

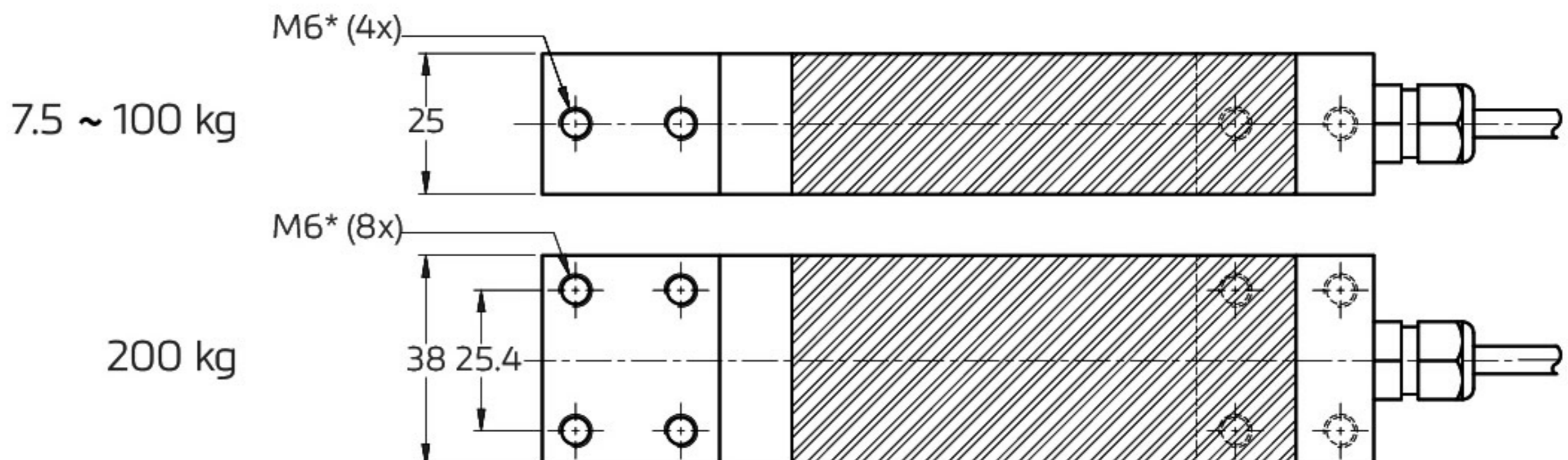
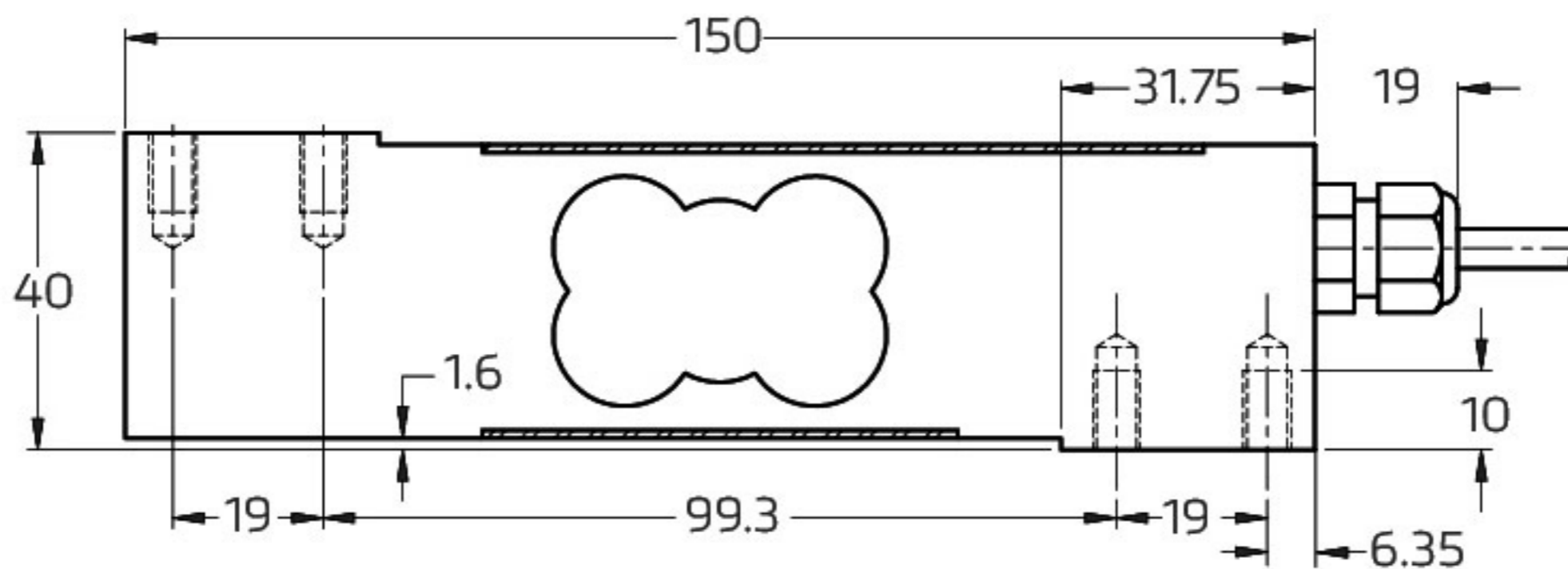


RoHS
compliant



제품 규격 [UNIT : mm]

Product Specification



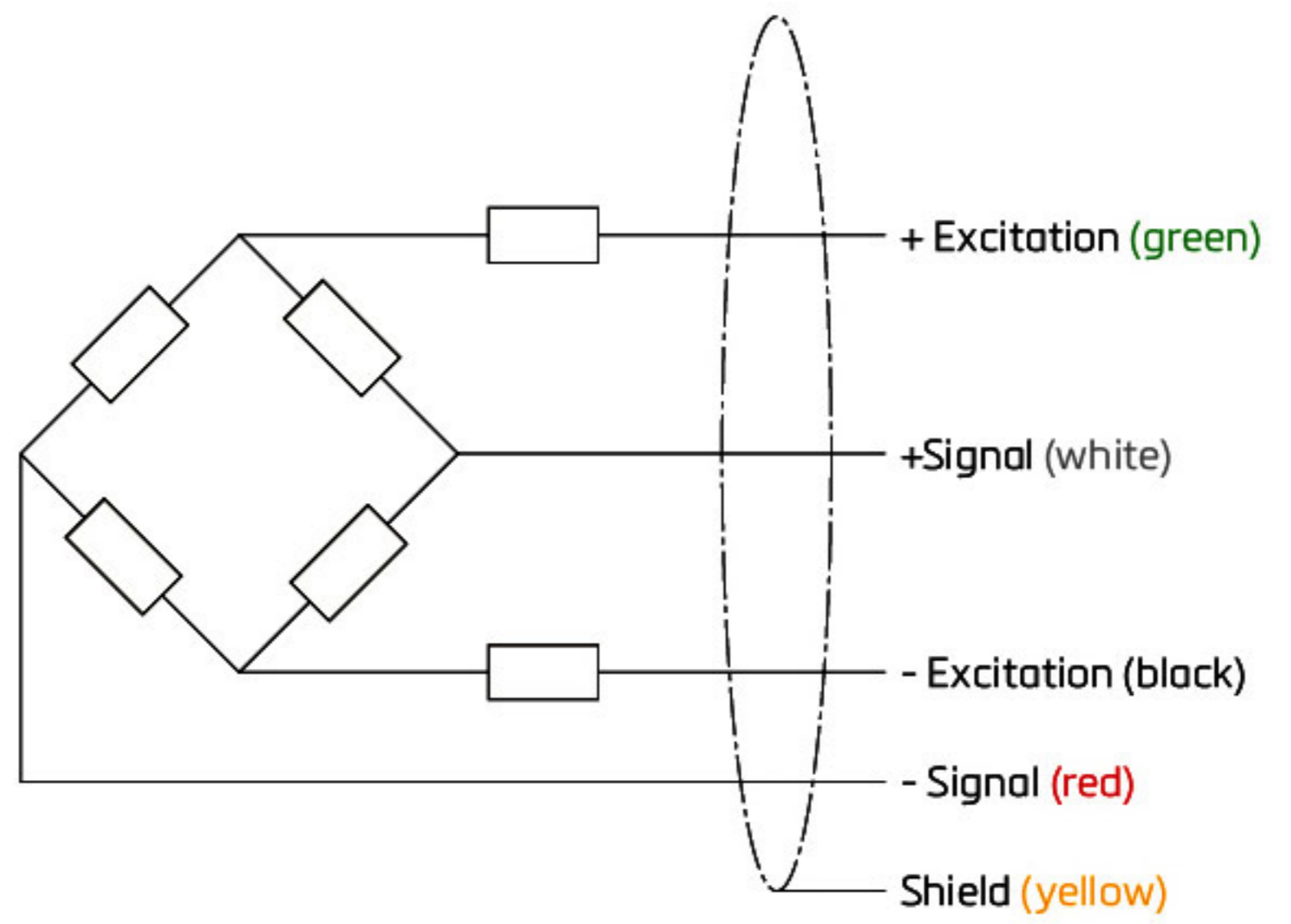
The load cell is provided with a shielded, 4 conductor cable (AWG 24).

Cable jacket: polyurethane

Cable length: 3 m

Cable diameter: 5 mm

The shield is connected to the load cell body



- ▶ 밀봉 매립방식으로 환경적으로 매우 높은 내구성을 제공
- ▶ 7.5kg~200kg 까지의 용량과 C4 OIML의 정확도 등급이 인증된 로드셀
- ▶ 방수형 고정밀 저울 / 식품 충전 시스템 / 고정밀 충전 시스템 / 병 충전시스템

Maximum capacity (E_{max})	kg	7.5 / 10 / 15 / 30 / 50 / 75 / 100 / 200			
Accuracy class according to OIML R60		(GP)	C3	C3 MI 6	C4
Maximum number of verification intervals (n_{LC})		n.a.	3,000		4,000
Minimum load cell verification interval (V_{min})		n.a.	$E_{max} / 10,000$		
Temperature effect on minimum dead load output (TC_0)	%*RO/10°C	± 0.0400	± 0.0140		
Temperature effect on sensitivity (TC_{RO})	%*RO/10°C	± 0.0200	± 0.0100		± 0.0080
Combined error	%*RO	± 0.0500	± 0.0200	± 0.0180	± 0.0180
Non-linearity	%*RO	± 0.0400	± 0.0166	± 0.0166	± 0.0125
Hysteresis	%*RO	± 0.0400	± 0.0166	± 0.0083	± 0.0125
Creep error (30 minutes) / DR	%*RO	± 0.0600	± 0.0166	± 0.0083	± 0.0125
Optional min. load cell verification interval ($v_{min opt}$)		n.a.	$E_{max} / 15000$		

Optional min. load cell verification interval (v_{min} opt)		n.a.	$E_{max}/15000$
Optional temp. effect on min. dead load output (TC_0 opt)	$\%*RO/10^{\circ}C$	n.a.	± 0.0093
Rated Output (RO)	mV/V		2 ± 0.1
Zero balance	$\%*RO$		± 5
Excitation voltage	V		5..15
Input resistance (R_{LC})	Ω		390 ± 20
Output resistance (R_{out})	Ω		330 ± 25
Insulation resistance (100 V DC)	$M\Omega$		≥ 5000
Safe load limit (E_{lim})	$\%*E_{max}$		200
Ultimate load	$\%*E_{max}$		300
Safe side load	$\%*E_{max}$		100
Maximum platform size; loading according to OIML R76	mm	350x350 for 7.5...15 kg / 450x450 for 30...75 kg / 600x600 for 100...200 kg	
Maximum off centre distance at maximum capacity	mm	115 for 7.5...15 kg / 150 for 30...75 kg / 200 for 100...200 kg	
Compensated temperature range	$^{\circ}C$		-10...+40
Operating temperature range	$^{\circ}C$		-20...+65 (ATEX -20...+60)
Load cell material			stainless steel 17-4 PH (1.4548)
Sealing			plastic covered
Protection according to EN 60 529			IP67*
Packet weight	kg		1.2 (7.5-100kg), 1.6 (200kg)

- **Stainless Steel 구조 / 포팅으로 환경 친화적인 밀봉**
- **다양한 용량 / 높은 정확도**
- **플랫폼 규격 600 X 600mm**
- **로드셀 케이블 : 폴리 우레탄 3m x 5mm**
- **EN 60 529에 따른 보호 : IP 67**

모 델	용 량 (kg)	집판규격 (mm)	등 급	재 질
PC 22	5,20,30,40	350 × 350	C3	Aluminum
PC 42	5,10,20,30,50,100,200	400 × 400	C3	Aluminum
PC 46	50,100,150,200,250	400 × 400	C4	Aluminum
PC 1	7.5,10,15,30,50,75,100,200	600 × 600	C4	Stainless Steel
PC 6	10,20,50,100,200	600 × 600	C4	Stainless Steel
PC 7	100,250,500	600 × 600	C4	Stainless Steel
PC 60	30,50,100,150,200,300,500,750	600 × 600	C3	Aluminum
PC 12	20	600 × 600	C3	Stainless Steel
PC 2	20	600 × 600	G3*	Stainless Steel
	150	1000 × 1000	G3*	Stainless Steel
PCB	50/100/250/500/1000	1000 × 1000	C3M16	Stainless Steel
PC 2H	2000	1200 × 1200	C3	Stainless Steel