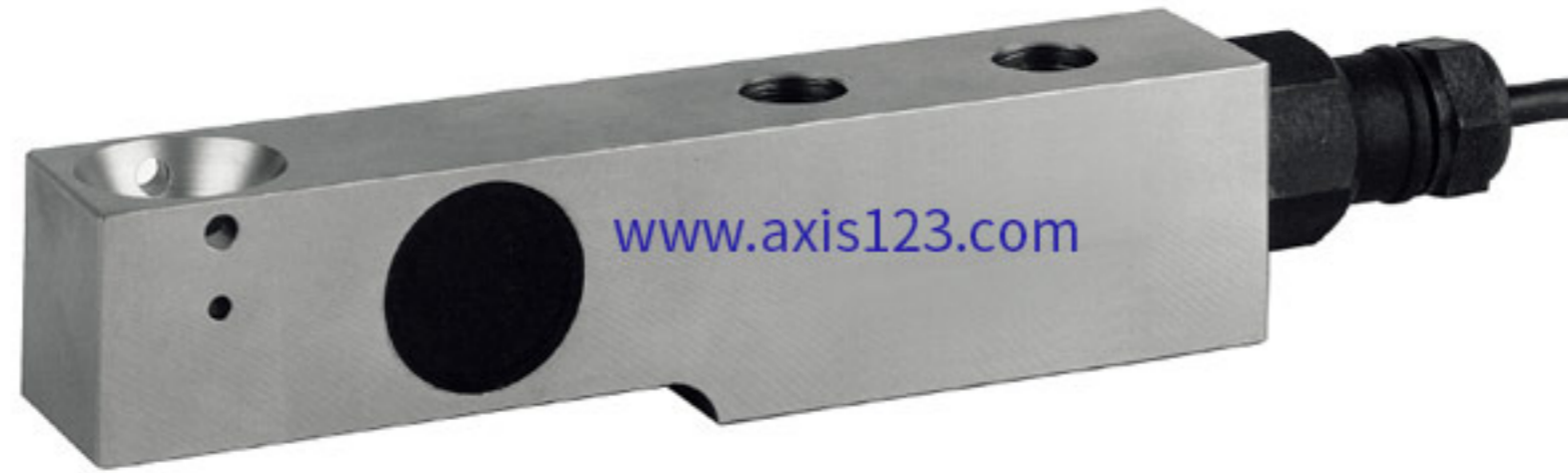


MODEL : SB5-EXP

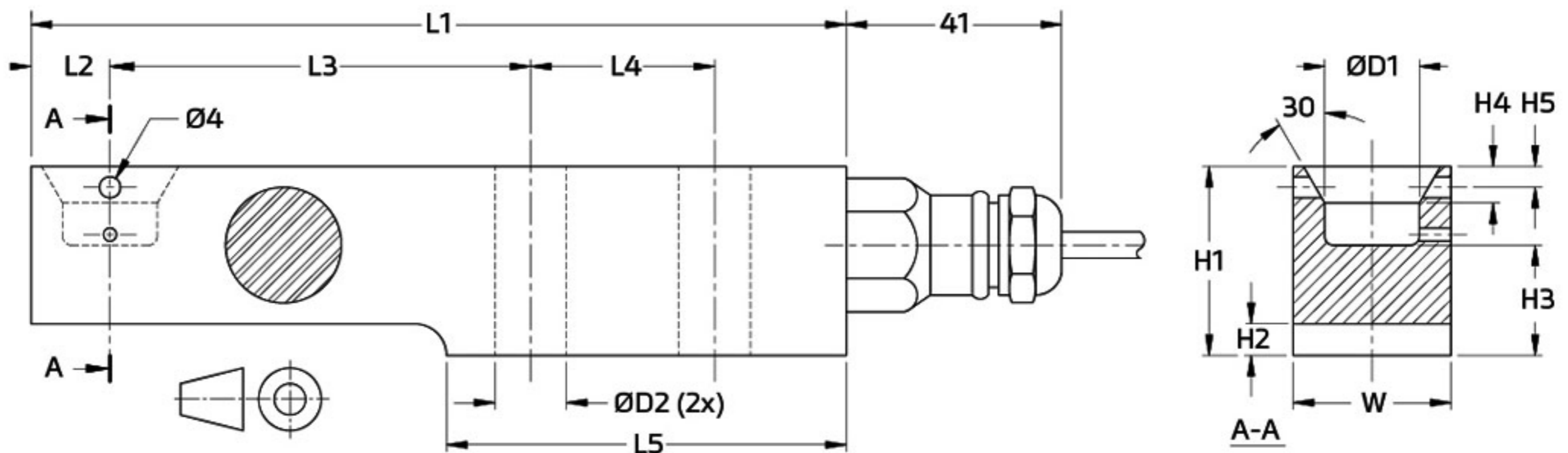


RoHS compliant



제품 규격 [UNIT : mm]

Product Specification



Type	L1	L2	L3	L4	L5	H1	H2	H3	H4	H5	W	D1	D2	Mounting bolts	Torque *
SB5-5 kN/10 kN/20 kN	155	15	80	35	76	36	6	21	7	4	30	18	13	M12 8.8	90 Nm
SB5-50 kN	190	21	105	40	93	49	8	28.5	6	8	43	25	21	M20 8.8	400 Nm
SB5-100 kN	245	30	135	50	120	73	12.5	42	10	n.a.	60	30	27	M24 8.8	700 Nm

* Torque values assume oiled threads.

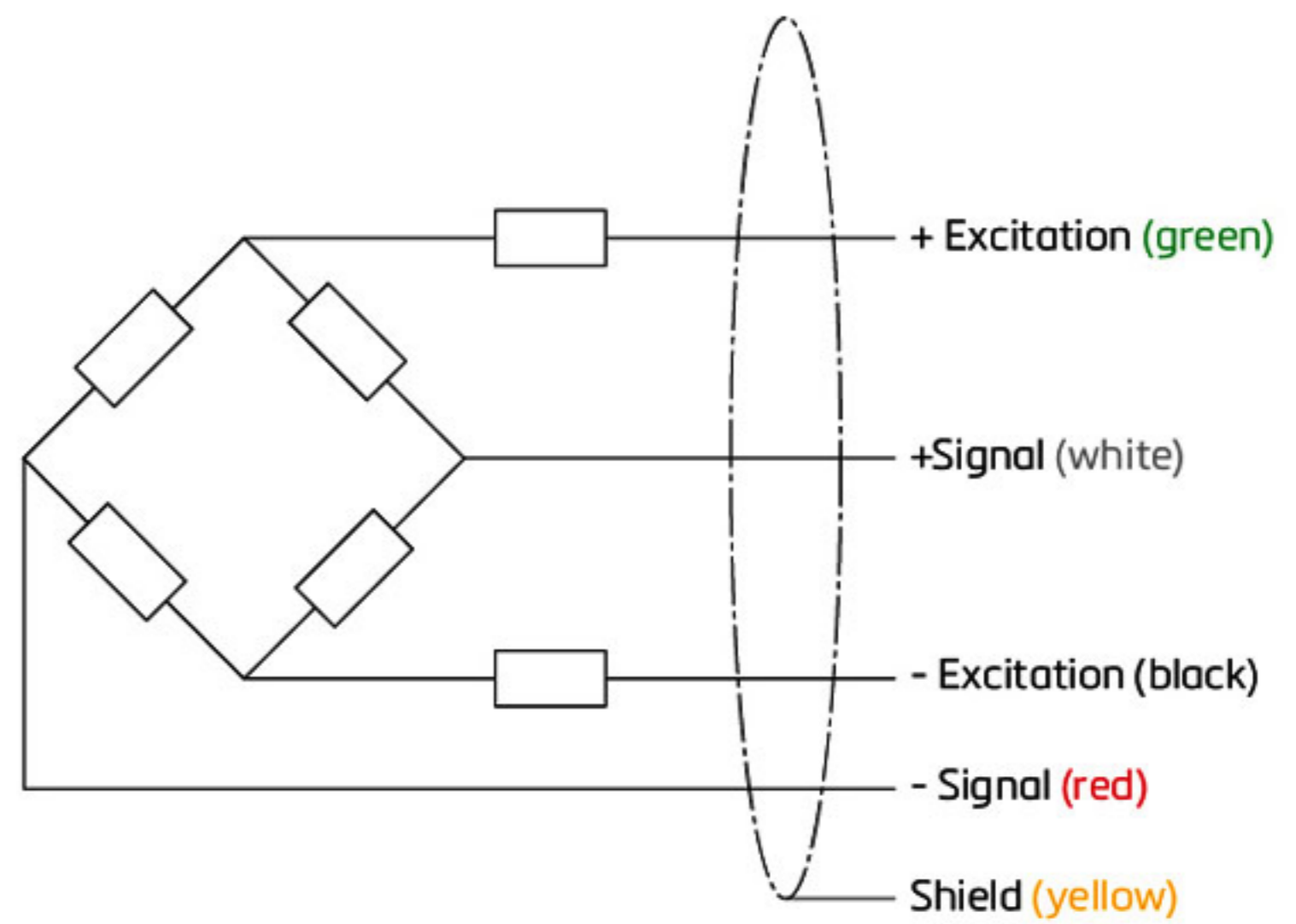
The load cell is provided with a shielded, 4 conductor cable (AWG 24).

Cable jacket: polyurethane

Cable length: 3 m for SB5-5 kN/10 kN/20 kN
4.5 m for SB5-50 kN/100 kN

Cable diameter: 5 mm

The shield is floating
(On request the shield can be connected to the load cell body)



- ▶ SB5는 510kg~5099kg 까지 사용 할 수 있는 고정밀 로우프로파일 벤딩 빔 로드셀
- ▶ 고성능의 포팅과 결합된 Stainless Steel 구조는 완전 밀폐 실링이 필요하지 않은 까다로운 산업 분야에서 신뢰성 있는 정확성과 견고성을 보장
- ▶ 조절좌와 결합될 때 블라인드 홀로드 도입 장치로 인해 고정밀 계량 플랫폼 제작에 적합한 로드셀 (SB4와 호환이 가능)

Maximum capacity (E_{max})	kN	5 / 10 / 20 / 50 / 100	5 / 10 / 20 / 50	
Metric equivalents (1 N=0.10197 kg)	kg	510 / 1,020 / 2,039 / 5,099 / 10,197	510 / 1,020 / 2,039 / 5,099	
Accuracy class according to OIML R60		(GP)	C1	C3
Maximum number of verification intervals (n_{max})		n.a.	1,000	3,000
Minimum load cell verification interval (v_{min})		n.a.	$E_{max}/5,100$	$E_{max}/11,000$
Temperature effect on minimum dead load output (TC_0)	%*RO/10°C	± 0.0400	± 0.0275	± 0.0127
Temperature effect on sensitivity (TC_{RO})	%*RO/10°C	± 0.0200	± 0.0160	± 0.0100
Combined error	%*RO	± 0.0500	± 0.0300	± 0.0200
Non-linearity	%*RO	± 0.0400	± 0.0300	± 0.0166

Hysteresis	%*RO	± 0.0400	± 0.0300	± 0.0166
Creep error (30 minutes) / DR	%*RO	± 0.0600	± 0.0490	± 0.0166
Rated Output (RO)	mV/V	2 ± 0.1%		
Calibration in mV/V/ (A...I classified)	%	± 0.05 (± 0.005)		
Zero balance	%*RO	± 5		
Excitation voltage	V	5...15		
Input resistance (R _{LC})	Ω	1,100 ± 50		
Output resistance (R _{out})	Ω	1,000 ± 2		
Insulation resistance (100 V DC)	MΩ	≥ 5,000		
Safe load limit (E _{lim})	%*E _{max}	200		
Ultimate load	%*E _{max}	300		
Safe side load	%*E _{max}	100		
Compensated temperature range	°C	-10...+40		
Operating temperature range	°C	-20...+65 (ATEX -20...+60)		
Load cell material		stainless steel 17-4 PH (1.4548)		
Sealing		potted		
Protection according to EN 60 529		IP67		
Packet weight	kg	1.4 (5-20kN), 2.9 (50kN), 7.0 (100kN)		

The limits for Non-Linearity, Hysteresis, and TC_{RO} are typical values. The sum of Non-linearity, Hysteresis and TC_{RO} meets the requirements according to OIML R60 with pLC=0.7.

- ▶ **Stainless Steel 구조 / 밀폐 봉인 구조**
- ▶ **다양한 용량 / 높은 정밀도**
- ▶ **EN 60 529에 따른 보호 : IP 67**
- ▶ **로드셀 케이블 : 폴리 우레탄 3 / 4.5m X 5mm**