

제품 소개



- RC3 은 7.5~300ton 까지의 단일 칼럼 압축 로드셀로 컴팩트 하면서도 견고한 로드셀 입니다.
- 로커 컬럼 설계로 스케일 테크 이동시 최적의 계량 정확도를 보장합니다.
- Stainless Steel 구조와 완전 밀폐되며 다양한 계량 시스템에 적용이 됩니다.

특징 Feature

- Stainless Steel 구조 / 밀폐 봉인 구조
- EN 60 529에 따른 보호 : IP68
- 높은 정밀도 / 밀폐 봉인 / 자가 복원 기동 설계
- 로드셀 케이블 : 폴리 우레탄 12 / 18m × 5mm

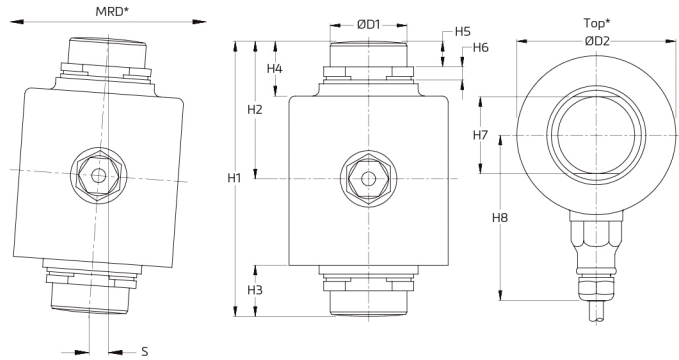
specifications

Maximum capacity (E _{max})	t	7.5 / 15 / 22.5 / 30 / 40 / 50 / 100 / 150 / 300	7.5 / 15 / 22.5 / 30 / 40 / 50			
Accuracy class according to OIML R60		(GP)	C1	C3	C3 M1 6	C4
Maximum number of verification intervals (n _{ic})		n.a.	1,000	3,000		4,000
Minimum load cell verification interval (V _{min})		n.a.	E _{max} / 5,000	E _{max} / 15,000		
Temp. effect on minimum dead load output (TC _d)	%*RO/10°C	± 0.0400	± 0.0280	± 0.0093		
Temperature effect on sensitivity (TC _{sp})	%*RO/10°C	± 0.0200	± 0.0160	± 0.0100		± 0.0080
Combined error	%*RO	± 0.0500	± 0.0300	± 0.0200	± 0.0180	± 0.0180
Non-linearity	%*RO	± 0.0400	± 0.0300	± 0.0166	± 0.0166	± 0.0125
Hysteresis	%*RO	± 0.0400	± 0.0300	± 0.0166	± 0.0100	± 0.0125
Creep error (30 minutes) / DR	%*RO	± 0.0600	± 0.0490	± 0.0166	± 0.0083	± 0.0125
Option: Min. load cell verification interval (V _{min opt})		n.a.	n.a.	E _{max} / 10000	n.a.	n.a.
Option: Temp. effect on min. dead load output (TC _{d opt})	%*RO/10°C	n.a.	n.a.	± 0.0140	n.a.	n.a.
Minimum dead load (E _{min})		0%*E _{max} (30 / 40 / 50 / 100)		2%*E _{max} (7.5 / 15 / 22.5 / 150 / 300)		
Rated Output (RO)	mV/V	2 ± 0.1%				
Calibration in mV/V/Ω (A...J classified)	%	± 0.05 (± 0.005)				
Zero balance	%*RO	± 5				
Excitation voltage	V	5..15				
Input resistance (R _i)	Ω	1150 ± 50				
Output resistance (R _{out})	Ω	1,000 ± 2				
Insulation resistance (100 V DC)	MΩ	≥ 5,000				
Safe load limit (E _{lim})	%*E _{max}	200				
Ultimate load	%*E _{max}	300				
Compensated temperature range	°C	-10...+40				
Operating temperature range	°C	-40...+80 (ATEX -40...+60)				
Load cell material		stainless steel 17-4 PH (14548)				
Sealing		complete hermetic sealing; cable entry sealed by glass to metal header				
Protection according EN 60 529		IP68 (up to 2m water depth) / IP69K				
Packet weight	kg	1.3 (7.5), 1.4 (15t), 1.5 (22.5t), 3.4 (30t), 3.6 (40t), 4.5 (50t), 12.9 (100t), 17.1 (150t), 32.8 (300t)				

The limits for Non-Linearity, Hysteresis, and TC_d are typical values.

The sum of Non-linearity, Hysteresis and TC_d meets the requirements according to OIML R60 with p_{ic}=0.7.

product dimensions (mm)



MRD* - Mandatory main rocking direction
Top* - Top view

Type	H1	H2	H3	H4	H5	H6	H7	H8	D1	D2	S _{max} *	RF**	S _{nom} ***
7.5 t												11 kN	0.5
15 t	89	44	17	23	11	6	28	75	28	69	4.5	20 kN	0.6
												30 kN	0.6
22.5 t												34 kN	0.29
30 t	140	70	26	28	13	6.5	39	84	39	81	10.5	37 kN	0.8
40 t	150	75	31	33	13	11.7	39	84	39	81	10	37 kN	0.8
50 t			32	34	17	8.5	44	94	44	99	9	51 kN	1
100 t	178	89	38.5	38.5	17	12	62	94	62	141.3	11.5	152 kN	0.3
												240 kN	0.35
150 t	210	105	42.7	42.7	20.6	12.8	76.2	121.5	76.2	165	14.5	240 kN	0.35
300 t	280	140	55.9	55.9	25	21.5	100	165	100	165	15	468 kN	0.5

*S_{max} - maximum lateral displacement of load introduction. Recommended gap 2..3 mm for 7.5..22.5 t, 3..5 mm for 30..300 t.

**RF - restoring force at S_{max} and E_{max}.

***S_{nom} = deflection, max. elastic deformation under nominal load in mm



RoHS compliant



모 델	용 량 (ton)	등 급	재 질
EXP Compression Load Cell Series			
RC1	25.5/40.8/61.2/91.8	C3	Stainless Steel
RC3	7.5/15/22.5/30/40/50	C4	Stainless Steel
	100/150/300	(GP)	Stainless Steel
Q50	0.5/1/2/5/10/20/30	IP68	Stainless Steel
EXP Planar Load Cell Series			
ZLB	20/50/100/200kg	C3	Aluminum
EXP-Tension / Compression Load Cell Series			
ULB	500/1000/2000/3000/5000	C3	Stainless Steel
	100/200	G3**	Stainless Steel
UB1	1020/2039/5099kg	C3	Stainless Steel
	10,197kg	G3**	Stainless Steel
UB6	75/102/204/510	C3	Stainless Steel