



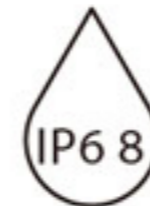
Since 1994, DIGITAL LEADER Axis Sensitive Co. Ltd
Industrial Explosion Proof Load Cell



MODEL : SB2-EXP

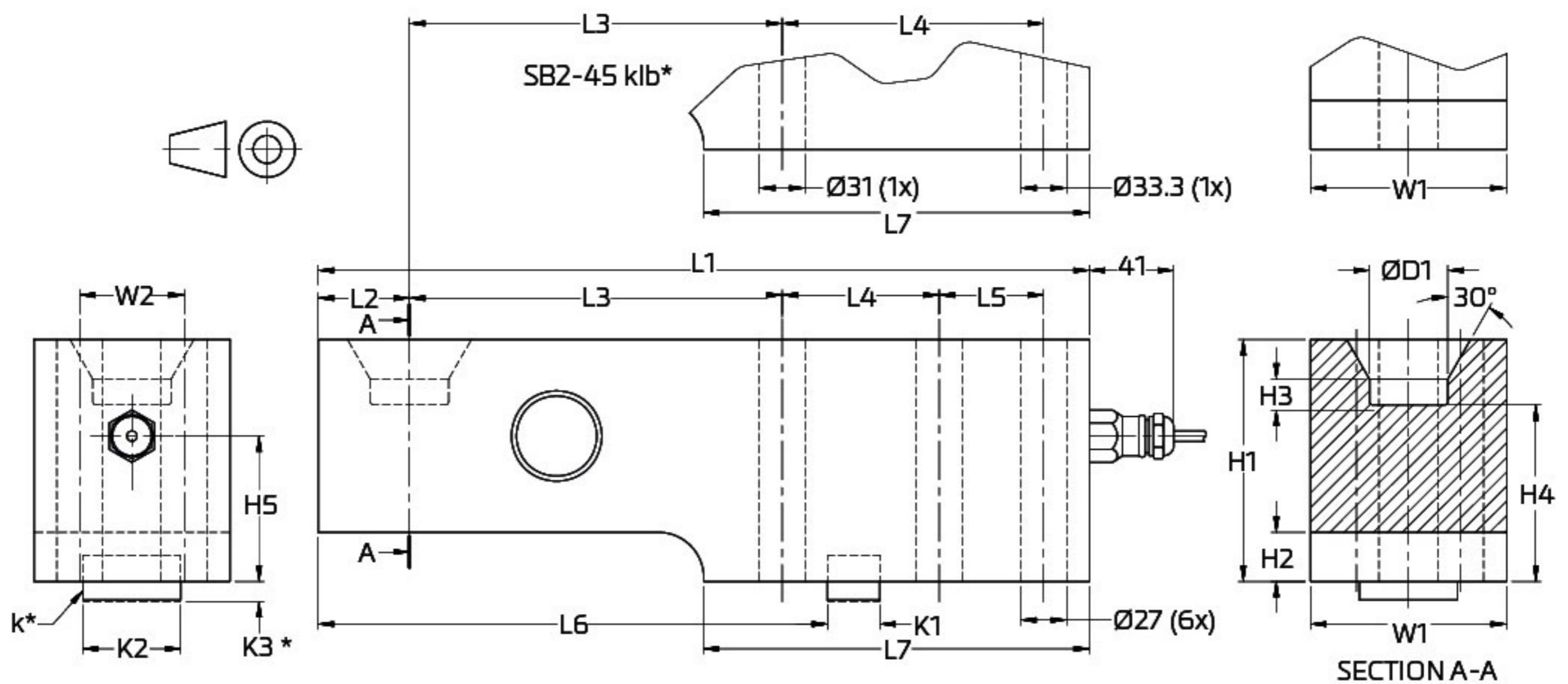


RoHS
compliant



제품 규격 [UNIT : mm]

Product Specification



Type	L1	L2	L3	L4	L5	L6	L7	H1	H2	H3	H4	H5	W1	W2	D1	K1	K2	K3*	Mount bolts	Torque*
SB2-45 klb	318	38	159	89	-	-	159	95	27	12	73	61	70	-	38.1	-	-	-	M30 8.8	1500 Nm
SB2-45 klb-M							148	82	12		58	47								
SB2-100 klb	416	48	197	92	54	276	210	143	41	14	111	92	95	54	50.8	25.4	47.6	10	M24 8.8	750 Nm

Torque* - values assume oiled threads.
K3* - depth of key slot
SB2-45klb* - Only two holes for the 45lbs version
k* -Key

The load cell is provided with a shielded, 4 conductor cable (AWG 20).

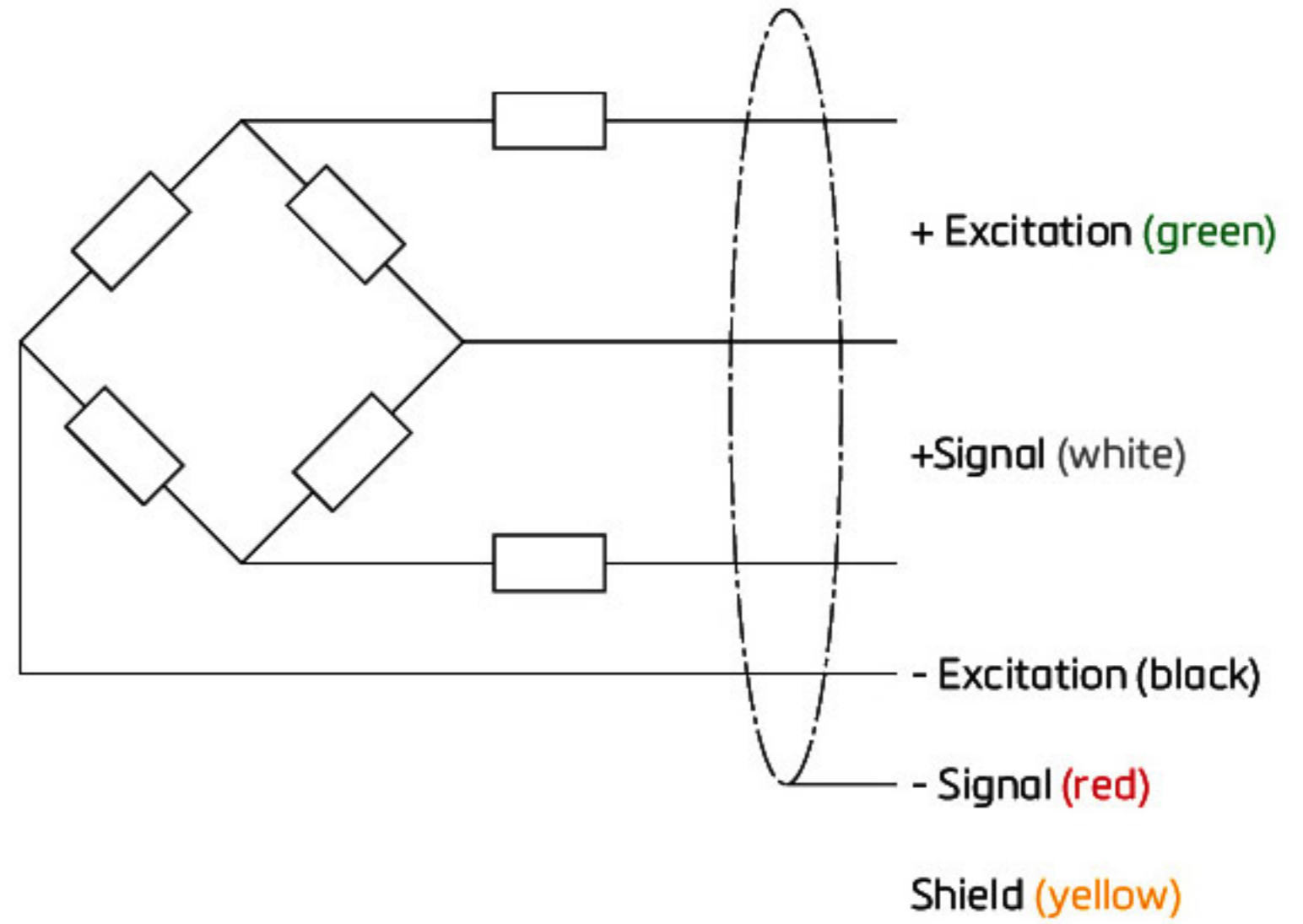
Cable jacket polyurethane

Cable length: 9.1 m for 45 klb, 10.7 m for 100 klb

Cable diameter: 7.6 mm

The shield is floating

(On request the shield can be connected to the load cell body)



- ▶ SB2는 철강 가공 시스템에서 사용토록 특수 용도로 설계된 전단 빔 로드셀
- ▶ 다른 모델에 비해 견고하며 대용량 계량 시스템, 코일 계량, 플랫폼 저울에 적합
- ▶ 연금술 씰링 및 내구성 페인트 코팅은 열악한 환경에서 적합

Maximum capacity (E_{max})	lb	45,000 / 100,000		
Metric equivalents (1 lb=0.45359 kg)	t	20.4 / 45.4		
Accuracy class according to OIML R60		GP	C1	C3
Maximum number of verification intervals (n_{max})		n.a.	1,000	3,000
Minimum load cell verification interval (v_{min})		n.a.	$E_{max} / 5,000$	$E_{max} / 15,000$
Temperature effect on minimum dead load output (TC_0)	%*RO/10°C	± 0.0400	± 0.0275	± 0.0122
Temperature effect on sensitivity (TC_{RO})	%*RO/10°C	± 0.0200	± 0.0160	± 0.0100
Combined error	%*RO	± 0.0500	± 0.0300	± 0.0200
Non-linearity	%*RO	± 0.0400	± 0.0300	± 0.0166
Hysteresis	%*RO	± 0.0400	± 0.0300	± 0.0166
Creep error (30 minutes) / DR	%*RO	± 0.0600	± 0.0490	± 0.0166
Rated Output (RO)	mV/V	2 ± 0.1%		
Calibration in mV/V/Ω (A...I classified)	%	± 0.05 (± 0.005)		
Zero balance	%*RO	± 5		
Excitation voltage	V	5...15		
Input resistance (R_{LC})	Ω	385 ± 20		
Output resistance (R_{out})	Ω	351 ± 1		
Insulation resistance (100 V DC)	MΩ	≥ 5,000		
Safe load limit (E_{lim})	%* E_{max}	200		
Ultimate load	%* E_{max}	300		
Safe side load	%* E_{max}	100		
Compensated temperature range	°C	-10...+40		
Operating temperature range	°C	-40...+80 (ATEX -40...+60)		
Load cell material		tool steel; painted		
Sealing		cable entry hermetic sealing by glass to metal header		
Protection according EN 60 529		IP68 (up to 2 m water depth) / IP69K		
Packet weight	kg	11.8 (45klb), 36.8 (100klb)		

The limits for Non-Linearity, Hysteresis, and TC_{RO} are typical values. The sum of Non-linearity, Hysteresis and TC_{RO} meets the requirements according to OIML R60 with $p_{LC}=0.7$.

- ▶ 공구강 재질 / 대용량 20.4 / 45.4ton
- ▶ EN 60 529에 따른 보호 : IP 68(up to 2m 물 깊이) / 69k
- ▶ 로드셀 케이블 : 폴리 우레탄 9.1m X 7.6mm