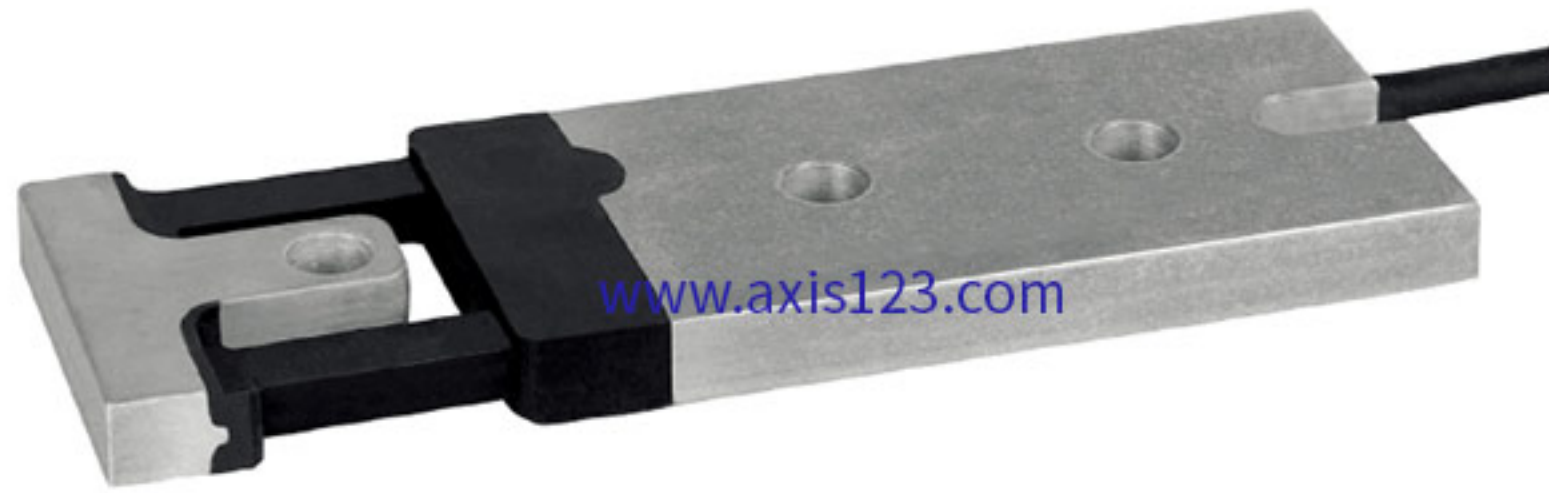




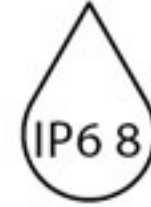
Since 1994, DIGITAL LEADER Axis Sensitive Co. Ltd
Industrial Explosion Proof Load Cell



MODEL : ZLB-EXP

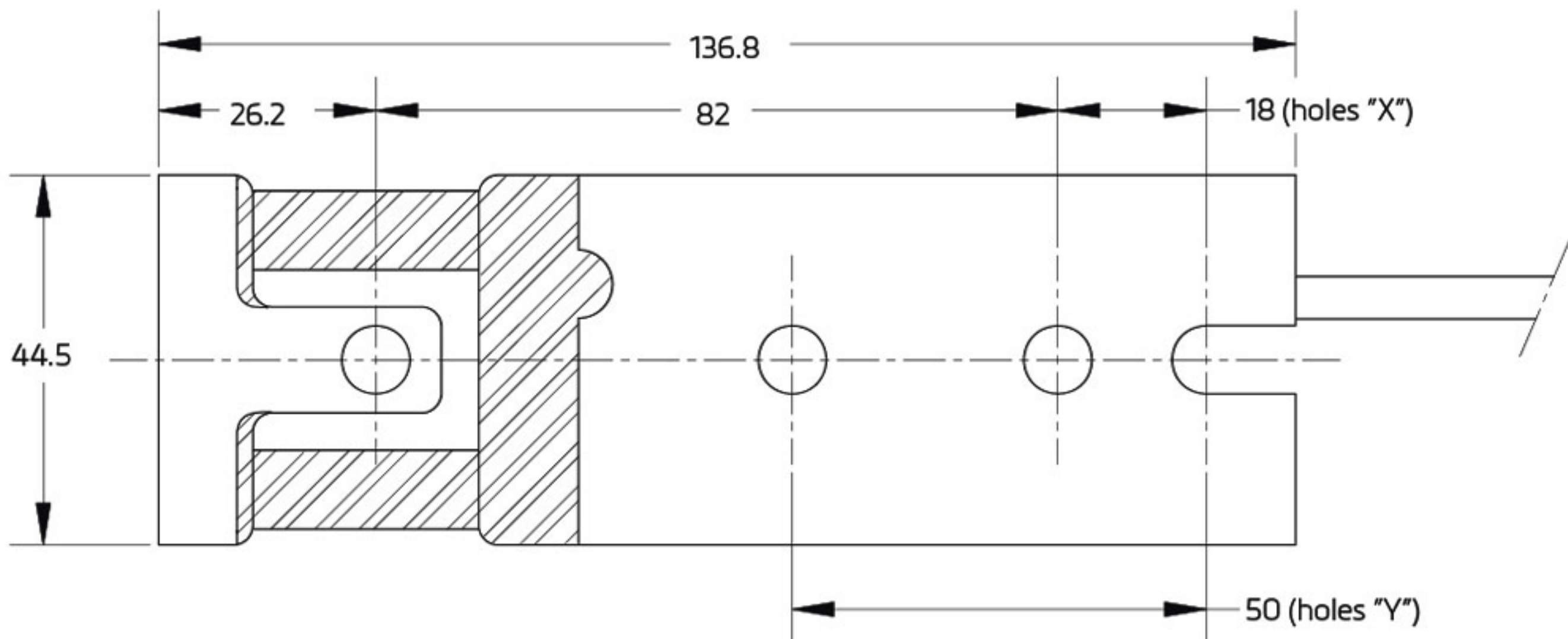


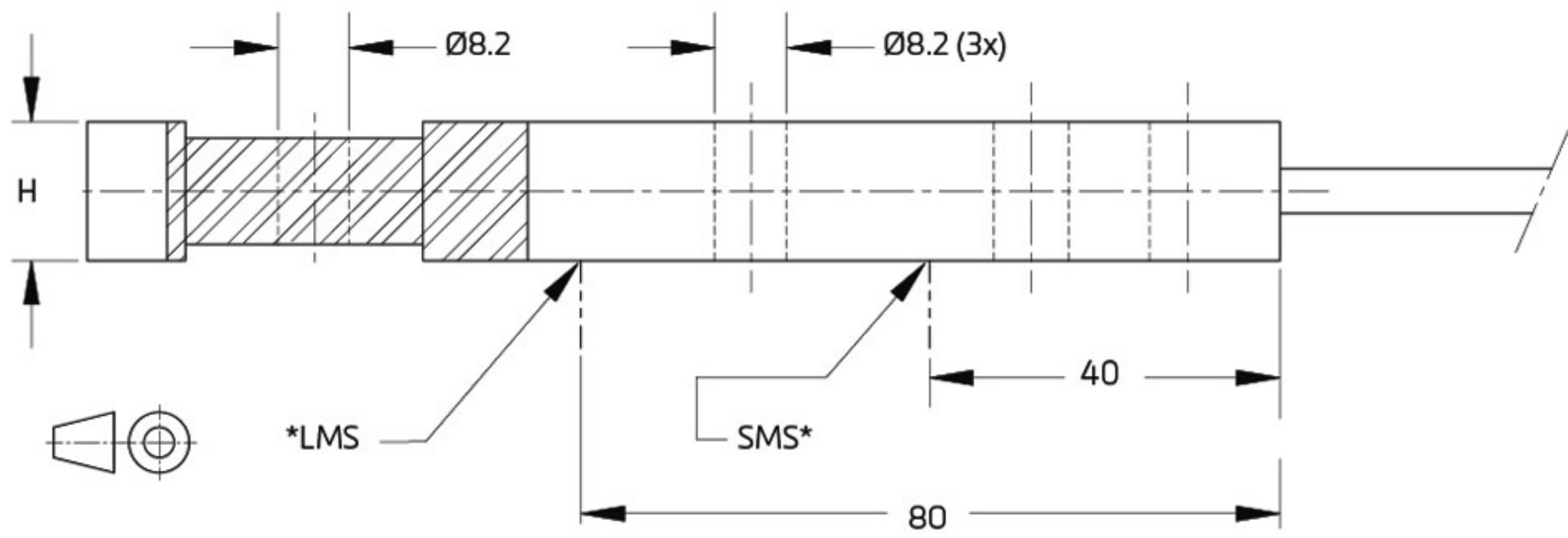
RoHS
compliant



제품 규격 [UNIT : mm]

Product Specification





LMS* - Edge of long mounting surface
 SMS* - Edge of short mounting surface

Note:
 It is recommended to use mounting holes "Y" on an 80 mm mounting surface. Mounting holes "X" can be used on a short (40 mm) mounting surface. If so, a steel spacer (80 mm long and 10 mm thick) is required for the 200 kg load cell.

Type	H	Mounting bolts	Torque *
ZLB-20 kg	9.5	M8 8.8	25 Nm
ZLB-50/100 kg	12.7	M8 8.8	25 Nm
ZLB-200 kg	15.9	M8 8.8	25 Nm

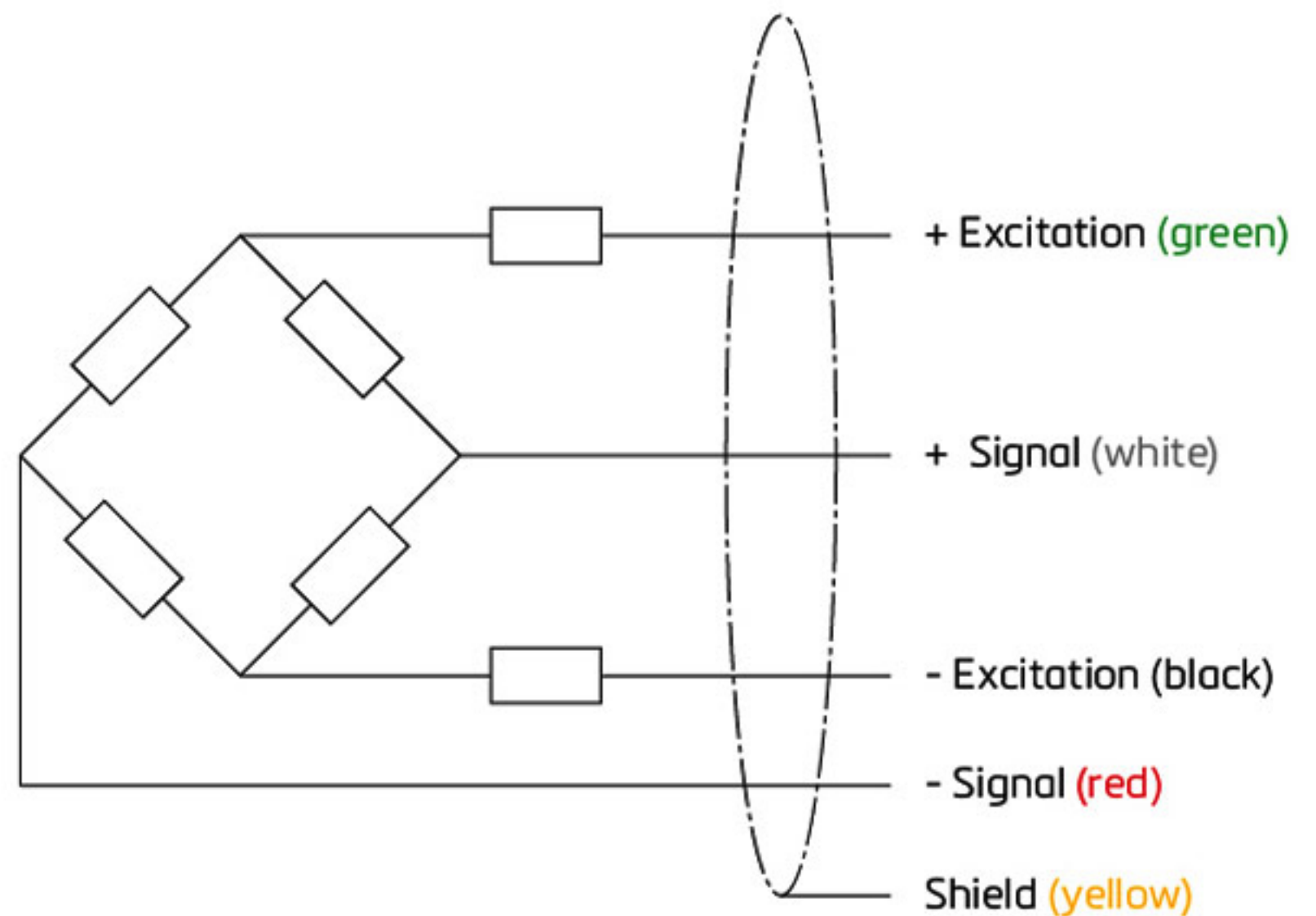
* Torque values assume oiled threads.

The load cell is provided with a shielded, 4 conductor cable (AWG 24).

Cable jacket: polyurethane

Cable length: 3 m
 Cable diameter: 5 mm

The shield is floating
 (Shield can be connected to the load cell body on request)



- ▶ ZLB 평면 범은 20kg ~ 200kg 까지의 낮은 높이에서 높은 정확도를 제공
- ▶ 알루미늄 구조 및 포팅 재료 사용으로 환경 보호 및 OIML 300d 인증
- ▶ SB8 및 SB6과 규격이 호환

Maximum capacity (E_{max})	kg	20 / 50 / 100 / 200		
Accuracy class according to OIML R60		(GP)	C1	C3
Maximum number of verification intervals (n_{max})		n.a.	1,000	3,000
Minimum load cell verification interval (v_{min})		n.a.	$E_{max} / 5,000$	$E_{max} / 10,000$
Temperature effect on minimum dead load output (TC_0)	%*RO/10°C	± 0.0400	± 0.0280	± 0.0140
Temperature effect on sensitivity (TC_{RO})	%*RO/10°C	± 0.0200	± 0.0160	± 0.0100
Combined error	%*RO	± 0.0500	± 0.0300	± 0.0200
Non linearity	%*RO	± 0.0400	± 0.0300	± 0.0166
Hysteresis	%*RO	± 0.0400	± 0.0300	± 0.0166
Creep error (30 minutes) / DR	%*RO	± 0.0600	± 0.0490	± 0.0166
Rated Output (RO)	mV/V	2 ± 0.1%		
Calibration in mV/V/Ω	%	± 0.05		
Zero balance	%*RO	± 5		
Excitation voltage	V	5...15		
Input resistance (R_{LC})	Ω	1,180 ± 50		
Output resistance (R_{out})	Ω	1,000 ± 2		
Insulation resistance (100 V DC)	MΩ	≥ 5,000		
Safe load limit (E_{lim})	%* E_{max}	200		
Ultimate load	%* E_{max}	300		
Safe side load	%* E_{max}	100		
Compensated temperature range	°C	-10...+40		
Operating temperature range	°C	-20...+65 (ATEX -20...+60)		
Load cell material		aluminium		
Sealing		potting		
Protection according EN 60 529		IP67		
Packet weight	kg	0.46 (20kg), 0.49 (50kg, 100kg), 0.53 (200kg)		

The limits for Non-Linearity, Hysteresis, and TC_{RO} are typical values.

The sum of Non-linearity, Hysteresis and TC_{RO} meets the requirements according to OIML R60 with $p^{LC}=0.7$.

- › 알루미늄 구조 / 밀폐 봉인 구조
- › 다양한 용량 / 높은 정밀도
- › EN 60 529에 따른 보호 : IP 67
- › 로드셀 케이블 : 폴리 우레탄 3m X 5mm