



Since 1994, DIGITAL LEADER Axis Sensitive Co. Ltd



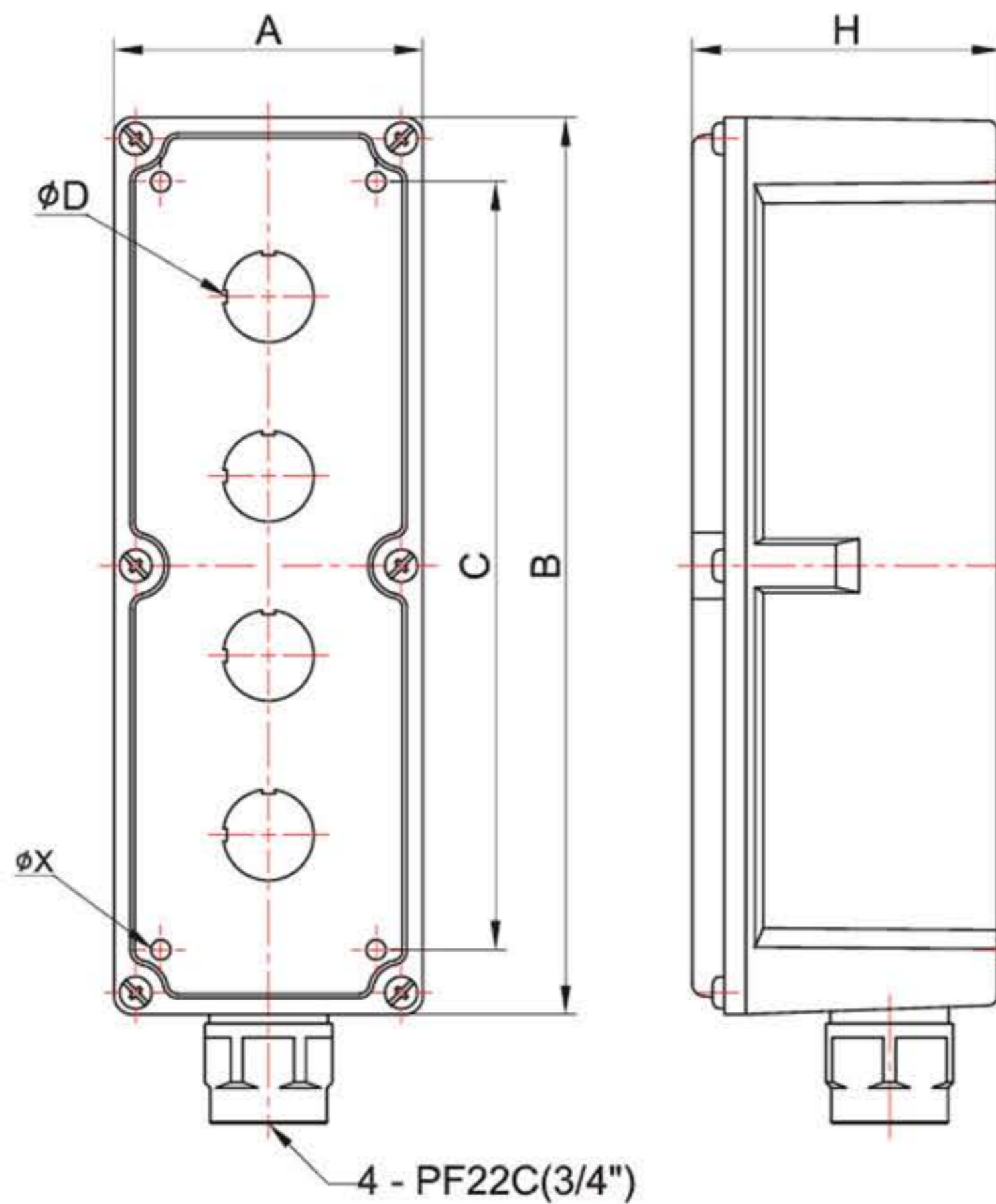
Industrial Explosion Proof Balance Scales

MODEL : DCS-1,2,3,4,5



제품 규격 [UNIT : mm]

Product Specification



Data (Body)

형 태	Type (Ø25)	Dimension(mm)					
		A	B	C	ØD	ØX	H
DCS-1	1 G	86	150	114	25.3	5.5	86
DCS-2	2 G	86	150	114	25.3	5.5	86
DCS-3	3 G	86	250	214	25.3	5.5	86
DCS-4	4 G	86	250	214	25.3	5.5	86
DCS-5	5 G						

- Ⓟ PB ON, OFF Push button switched, AC500V 3A
- Ⓟ K PB Key locked ON, OFF Push button switches AC250V 6A
- Ⓟ SS Selector switched, AC250V 6A 2&3 notch positions
- Ⓟ PL Pilot lamps AC110V 220V 18V sW, Red, Green, White color globe
- Ⓟ M Meter boxes Amperemeter & Volt meters 5A 15A 30/5A 300/5A
- Ⓟ Z Buzzer Signales AC110V 220V, DC12V 24V
- Ⓟ CS Cam Switches AC250V 6A max. position 6 Max notch – 12

- ▶ 폭발 위험 물질 계량 및 PSM(Process Safety Management) / 화관법 / 화평법 적용 대상 업체에 사용
- ▶ 석유화학, 화학계열, 도료, 잉크, 가스, LPG 등 폭발 위험성이 있는 제품 업체에 사용